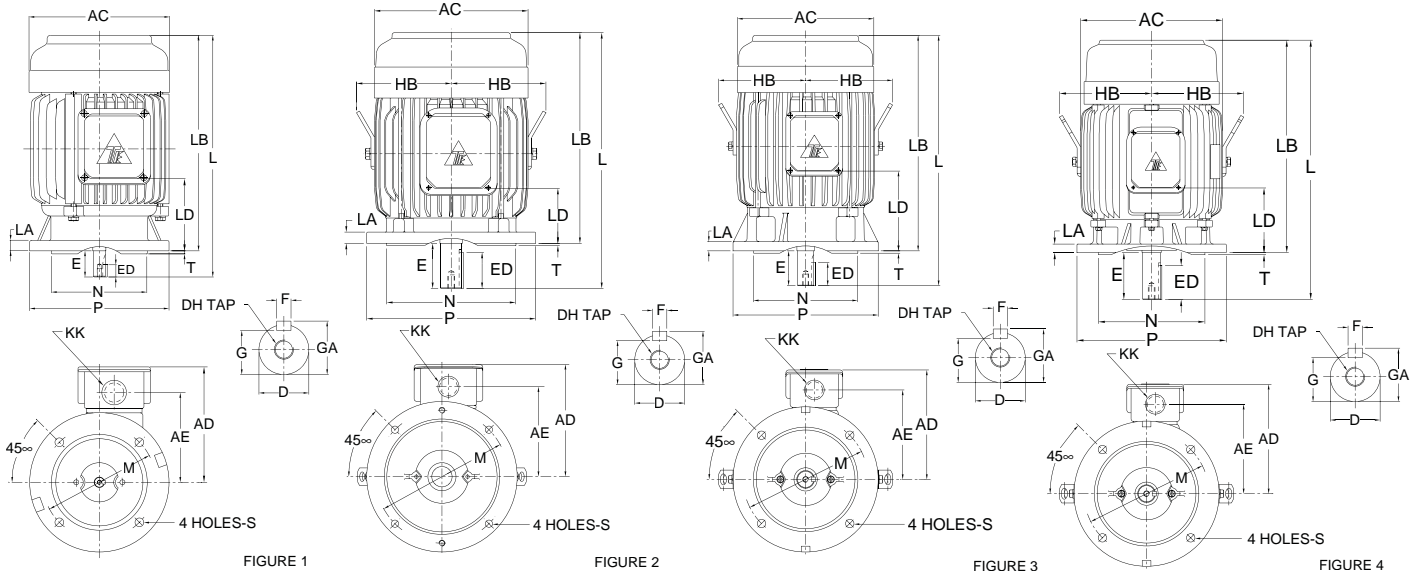


Motor type AEVB

Flange - mounting V1 (IM 3011) - Dimension



Output (HP)				Frame Size	Fig. No.	Fixing						Shaft				
2P	4P	6P	8P			M	N	P	S	T	LA	D	E	F	G	GA
0.25	0.25	-	-	63	1	130	110	160	10	3.5	12	11j6	23	-	10	-
0.5 / 0.75	0.5	0.25	-	71	1	130	110	160	10	3.5	12	14j6	30	5	11	16
1 / 1.5	0.75 / 1	0.5 / 0.75	0.25	80	2	165	130	200	12	3.5	12	19j6	40	6	15.5	21.5
2	1.5	1	0.5	90S	3	165	130	200	12	3.5	12	24j6	50	8	20	27
3	2	1.5	0.75	90L	3	165	130	200	12	3.5	12	24j6	50	8	20	27
4	3 / 4	2	1 / 1.5	100L	2	215	180	250	14.5	4	16	28j6	60	8	24	31
5 / 5.5	5 / 5.5	3	2	112M	3	215	180	250	14.5	4	16	28j6	60	8	24	31
7.5 / 10	7.5	4	3	132S	2	265	230	300	14.5	4	20	38k6	80	10	33	41
-	10	5 / 5.5 / 7.5	4	132M	2	265	230	300	14.5	4	20	38k6	80	10	33	41
15 / 20	15	10	5 / 5.5 / 7.5	160M	4	300	250	350	18.5	5	20	42k6	110	12	37	45
25	20	15	10	160L	4	300	250	350	18.5	5	20	42k6	110	12	37	45
-	25	-	-	180MC	4	300	250	350	18.5	5	20	48k6	110	14	42.5	51.5
-	30	20	15	180LC	4	300	250	350	18.5	5	20	48k6	110	14	42.5	51.5

Frame Size	General										Bearings	
	AC	AD	AE	DH	ED	HB	KK	L	LB	LD	DE	NDE
63	144	123	93	M4X8	10	-	20	248	225	74	6202ZZ	6201ZZ
71	162	133	103	M5X10	14	-	20	277.5	247.5	82	6202ZZ	6202ZZ
80	177	159	122	M6X12	25	-	20	282	242	55	6204ZZ	6204ZZ
90S	200	170	135	M8X16	32	-	20	346.5	296.5	100	6205ZZ	6205ZZ
90L	200	170	135	M8X16	32	-	20	371.5	321.5	113	6205ZZ	6205ZZ
100L	219	180	144.5	M10X20	40	140	28	374.5	314.5	88	6206ZZ	6305ZZ
112M	238	189	154	M10X20	40	150	28	431	371	135	6306ZZ	6306ZZ
132S	273	224	179.5	M12X24	64	169	35	454	374	97	6308ZZ	6306ZZ
132M	273	224	179.5	M12X24	64	169	35	492	412	116	6308ZZ	6306ZZ
160M	334	263	218	M16X32	80	217	35	608	498	151	6309ZZ	6307ZZ
160L	334	263	218	M16X32	80	217	35	652	542	173	6309ZZ	6307ZZ
180MC	382	305	250	M16X32	80	241	35	672	562	170	6311ZZ	6310ZZ
180LC	382	305	250	M16X32	80	241	35	710	600	189	6311ZZ	6310ZZ

Note :

- 1 . All dimensions are in mm.
2. Tolerance of N : h7
3. Data are subject to revisions without notice.

Motor type AEVB

Flange - mounting V1 (IM 3011) - Dimensions

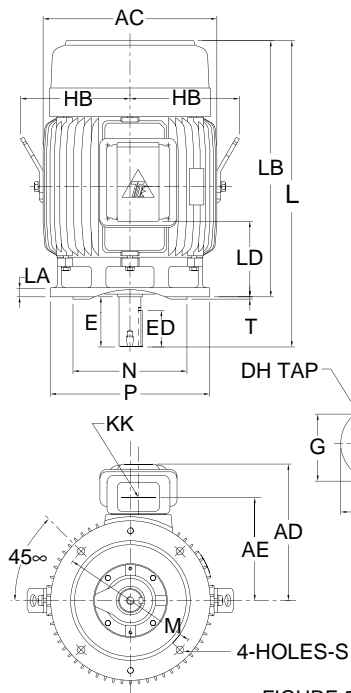


FIGURE 5

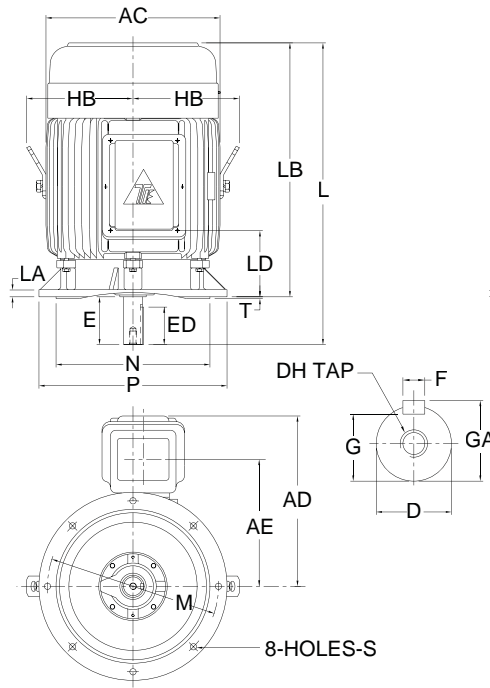


FIGURE 6

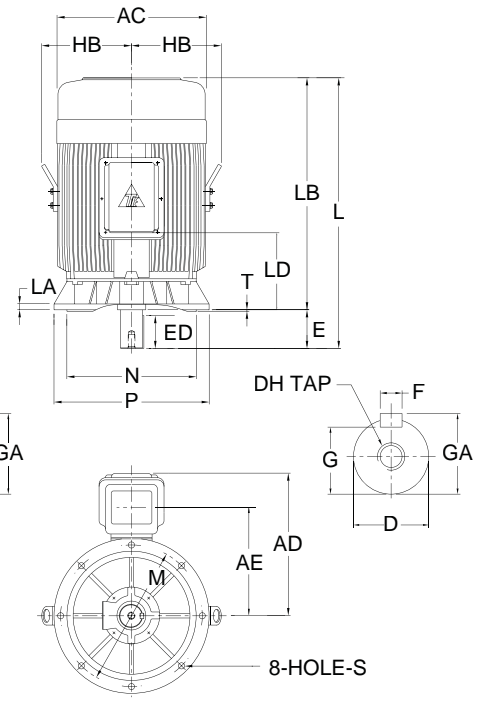


FIGURE 7

Output (HP)				Frame Size	Fig. No.	Fixing						Shaft				
2P	4P	6P	8P			M	N	P	S	T	LA	D	E	F	G	GA
30	-	-	-	180MA	5	300	250	350	18.5	5	20	48k6	110	14	42.5	51.5
40 / 50	-	-	-	200LA	5	350	300	400	18.5	5	20	55m6	110	16	49	59
-	40	25 / 30	20	200LC	5	350	300	400	18.5	5	20	55m6	110	16	49	59
-	50	-	25	225SC	6	400	350	450	18.5	5	22	60m6	140	18	53	64
60	-	-	-	225MA	6	400	350	450	18.5	5	22	55m6	110	16	49	59
-	60	40	30	225MC	6	400	350	450	18.5	5	22	60m6	140	18	53	64
*75	-	-	-	250SA	6	500	450	550	18.5	5	22	60m6	140	18	53	64
-	75	50	40	250SC	6	500	450	550	18.5	5	22	70m6	140	20	62.5	74.5
*100	-	-	-	250MA	6	500	450	550	18.5	5	22	60m6	140	18	53	64
-	100	60	50	250MC	6	500	450	550	18.5	5	22	70m6	140	20	62.5	74.5
*125	-	-	-	280SA	7	500	450	550	19	5	22	65m6	140	18	58	69
-	125	75	60	280SC	7	500	450	550	19	5	22	80m6	170	22	71	85
*150	-	-	-	280MA	7	500	450	550	19	5	22	65m6	140	18	58	69
-	150	100	75	280MC	7	500	450	550	19	5	22	80m6	170	22	71	85
*175	-	-	-	315SA	7	600	550	660	24	6	25	65m6	140	18	58	69
-	175	125	100	315SC	7	600	550	660	24	6	25	85m6	170	22	76	90
*200 / 250	-	-	-	315MA	7	600	550	660	24	6	25	65m6	140	18	58	69
-	200	150 / 175	125	315MC	7	600	550	660	24	6	25	85m6	170	22	76	90
-	*250	-	-	315MB	7	600	550	660	24	6	25	85m6	170	22	76	90

Frame Size	General										Bearings	
	AC	AD	AE	DH	ED	HB	KK	L	LB	LD	Drive End	NDE
180MA	382	305	250	M16X32	80	241	35	672	562	170.5	6211C3	6211C3
200LA	420	374	287	M20X40	80	260	-	770	660	150	6312C3	6212C3
200LC	420	374	287	M20X40	80	260	-	770	660	150	6312	6212
225SC	458	427	326	M20X40	110	286	-	816	676	105	6313	6213
225MA	458	427	326	M20X40	80	286	-	811	701	105	6312C3	6212C3
225MC	458	427	326	M20X40	110	286	-	841	701	105	6313	6213
250SA	510	493	378	M20X40	110	312	-	882.5	742.5	85.5	6313C3	6213C3
250SC	510	493	378	M20X40	110	312	-	882.5	742.5	85.5	6316 (NU216)	6213
250MA	510	493	378	M20X40	110	312	-	920.5	780.5	104.5	6313C3	6213C3
250MC	510	493	378	M20X40	110	312	-	920.5	780.5	104.5	6316 (NU216)	6213
280SA	580	520	405	M20X40	110	355	-	992	847	197	6314C3	6314C3
280SC	580	520	405	M20X40	140	355	-	1022	847	197	6318 (NU318)	6316
280MA	580	520	405	M20X40	110	355	-	1042	897	247	6314C3	6314C3
280MC	580	520	405	M20X40	140	355	-	1072	897	247	6318 (NU318)	6316
315SA	637	545	430	M20X40	110	383	-	1086	946	251	6314C3	6314C3
315SC	637	545	430	M20X40	140	383	-	1116	946	251	6320 (NU320)	6316
315MA	637	545	430	M20X40	110	383	-	1137	997	301	6314C3	6314C3
315MC	637	545	430	M20X40	140	383	-	1167	997	301	6320 (NU320)	6316
315MB	637	545	430	M20X40	140	383	-	1167	997	301	6320 (NU320)	6316

Note : 1. All dimensions in mm. 2. Tolerance of N : h7 3. Output (HP) with mark* is for direct coupling service only
 4. Roller bearings in () are for 6 Pole and 8 Pole motors only. NU bearing can be fitted to 4 Pole 75HP and larger if they are employed in belt drive applications.
 5. Data are subject to revisions without notice.